



Scan here for access to solution website page for other documents

Stravilink IJH-S

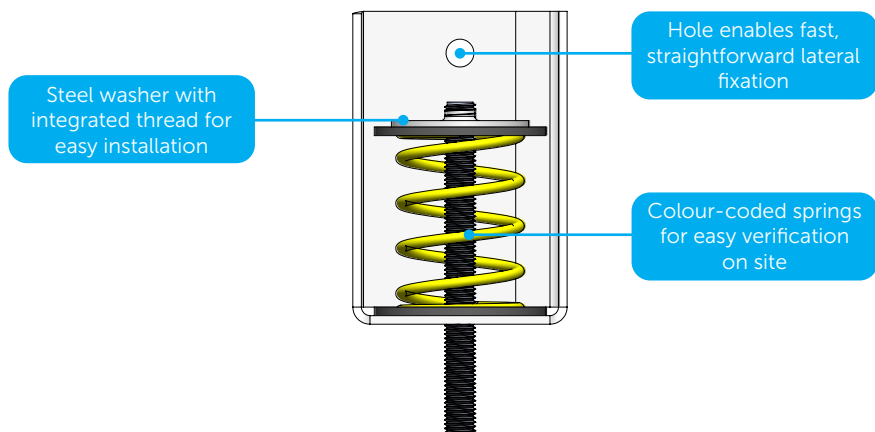
Datasheet



Stravilink IJH-S is an Isolation Joist Hanger with Springs, designed to support suspended ceiling systems of joist structural floors, optimizing sound insulation between vertically stacked rooms.

FEATURES

- Side-mounted zinc-plated steel angle, gusseted for enhanced resistance to bending
- Ideal for lateral fixation
- Equipped with steel springs featuring a natural frequency of approximately 4 Hz at design load
- Available in different spring options, supporting loads from 5 to 78 kg
- Colour-coded springs are available for different load ranges, making it easy to verify on-site that the correct hanger is used
- Includes a steel washer with integrated thread, compatible with standard drop rod ceiling systems
- Interfaces seamlessly with all ceiling types
- Accommodates variable void depths
- Easy positioning
- Simple and fast installation process



PACKAGING

Model	Reference	Quantity per Box	Weight per Box [kg]	Dimension of Box [cm]
Stravilink IJH-S80	002026	42	10	28 x 18 x 17
Stravilink IJH-S250	002028	42	10	28 x 18 x 17
Stravilink IJH-S500	002030	42	10	28 x 18 x 17



PHYSICAL & MECHANICAL PROPERTIES

Model	Design Load		Resonance Frequency at Design Load	Load Range (per Hanger)		Pad Colour
	kg	N	Hz	kg	N	
Stravilink IJH-S80	8	80	4	5-11.5	50-115	Signal Yellow ●
Stravilink IJH-S250	25	250	4	10-39	100-390	Traffic Red ●
Stravilink IJH-S500	50	500	4	25-78	250-780	Signal Blue ●

Notes:

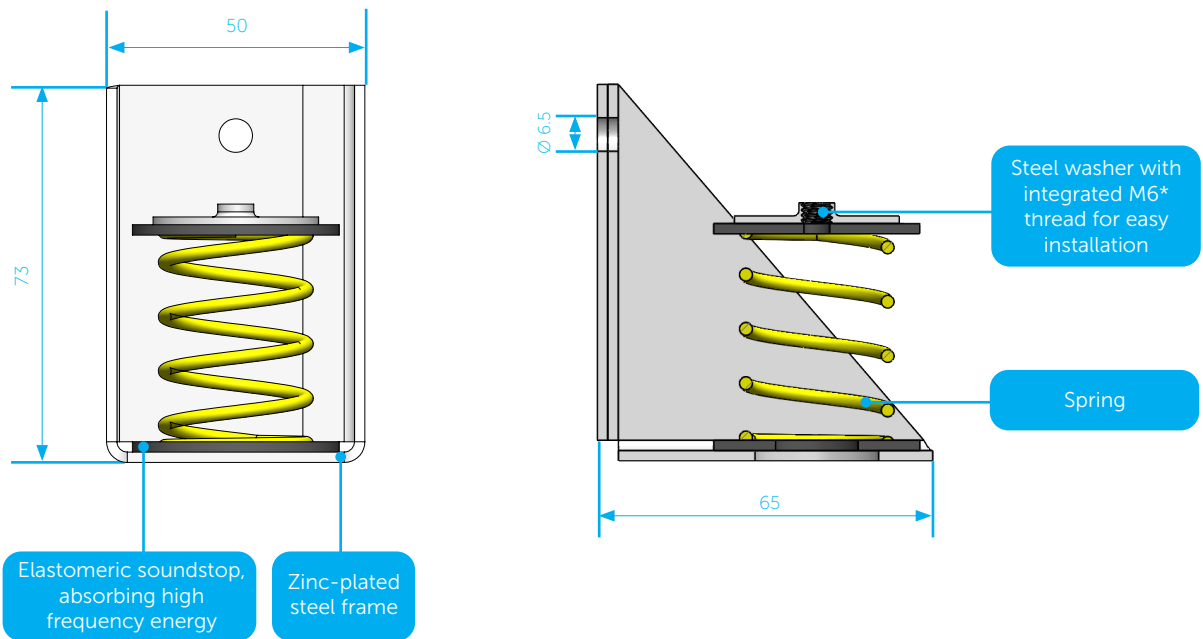
Admissible load of steel elements: 1274 N.

Products are suited up to a C2 environment (atmosphere with little or no degree of pollution).

The temperature range of use is between -30°C and 70°C.

To assess which type is appropriate the following information is needed:

- 1) The weight and construction of the supported ceiling - this will determine the type of hanger;
- 2) The weights and support locations of any items hung from the ceiling.



Notes:

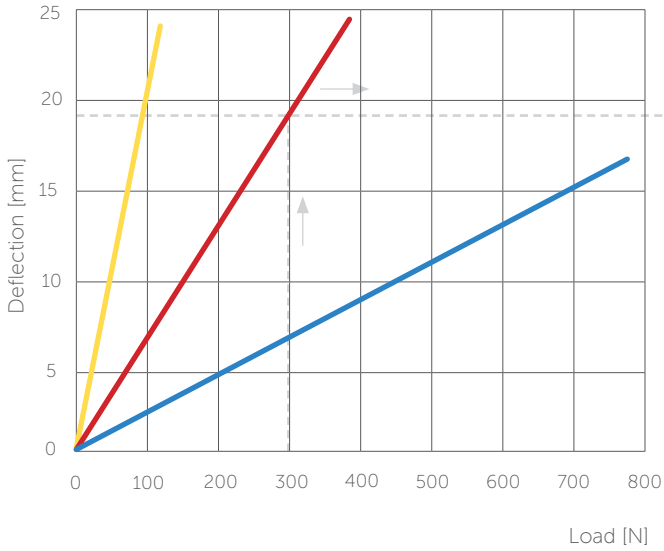
All dimensions in millimeters (mm).

*Available in M8 upon request.

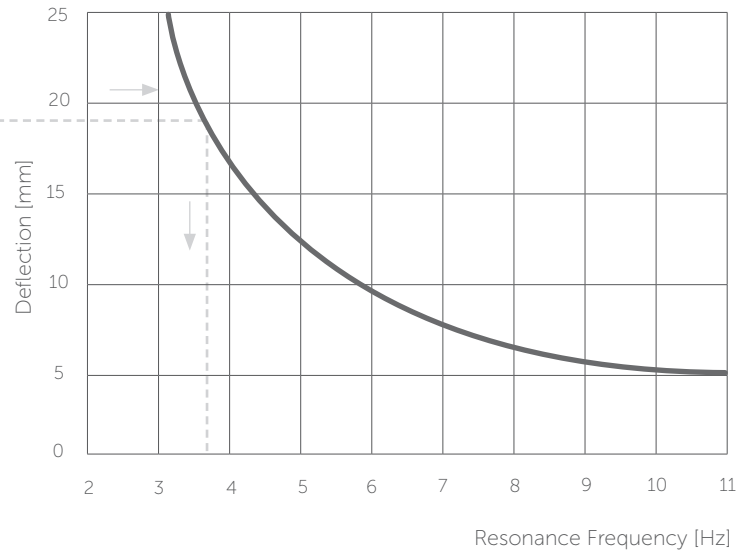


PERFORMANCE GRAPHS

Deflection as Function of Load



Relationship between Deflection and Resonance Frequency



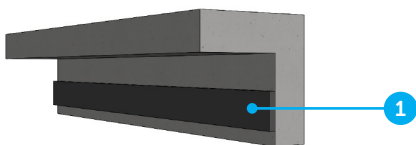
● Stravilink IJH-S80 ● Stravilink IJH-S250 ● Stravilink IJH-S500



The resonance frequency of a Stravilink hanger can be determined by its load. To start the calculation use the graph "Deflection as Function of Load" this will provide the deflection at the specified load. Then moving horizontally to the right hand side plot "Deflection as Function of Frequency" on which the corresponding resonance frequency can be found. As an example, the resonance frequency of a Stravilink IJH-S250 loaded with 300 N is determined. The corresponding deflection is 19 mm. The resonance frequency of a spring at 19 mm deflection is 3.6 Hz.



ACCESSORIES



Perimeter Strip

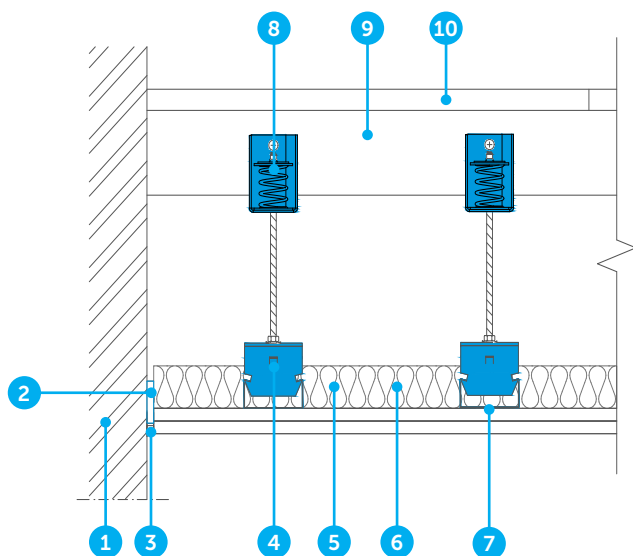
1. Self-adhesive perimeter strip 10 mm thick to isolate the ceiling from the adjacent walls.

Note: Standard widths of 50 mm, 100 mm, and 150 mm are available in 10 lm rolls.



TYPICAL ASSEMBLIES

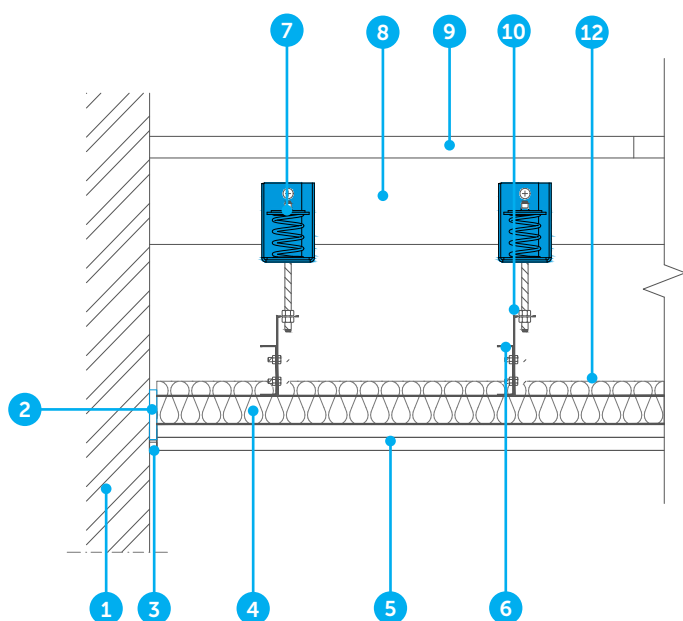
47/60 mm channel



1. Wall
2. Perimeter Strip
3. Elastic caulk
4. C clip
5. Absorption layer
6. Plasterboards, gypsum board or dry lining
7. 47/60 mm channel
8. Stravilink IJH-S
9. Wooden Joist
10. Wooden board

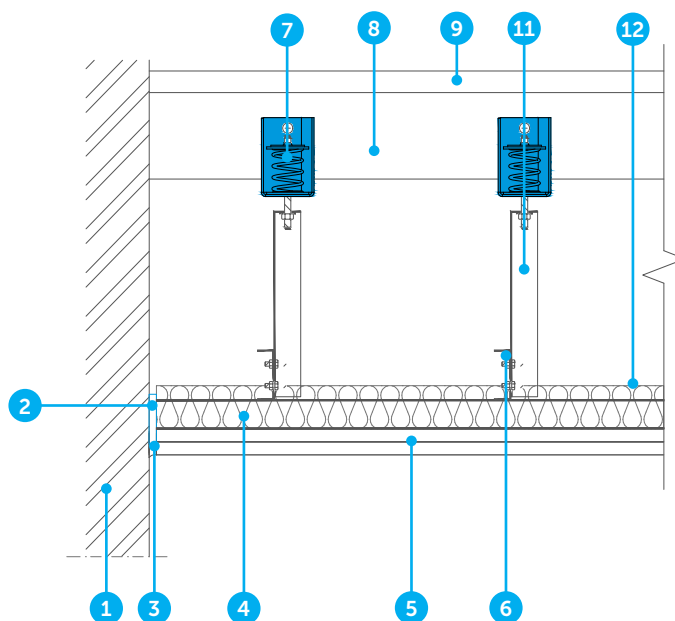
MF grid

Option 1



1. Wall
2. Perimeter Strip
3. Elastic caulk
4. British gypsum MF5 secondary channel
5. Plasterboards, gypsum board or dry lining
6. British gypsum MF7 primary channel

Option 2



7. Stravilink IJH-S
8. Wooden Joist
9. Wooden board
10. Pre-formed angle bracket
11. British gypsum fea1 angle
12. Absorption layer

DISCLAIMER

This information is accurate to the best of our knowledge at the time of issue. Information, data and recommendations provided are based on industry accepted testing and prior product usage. It is intended as descriptive of the general capabilities and performance of our products and does not endorse applicability for any particular project. We reserve the right to change products, performance, and data without notice. This document replaces all information supplied prior to the publication hereof.



Vismeerstraat 3 - 5384 VL Heesch
0800 55555 44
info@delta-l.nl
<https://www.delta-l.nl>

IBAN: NL79 RABO 0375036717
BIC: RABONL2U
BTW: NL811318539B01
KvK: 08071864

Delta-L B.V. | CDM Stravitec Nederland

Delta-L is specialist op het gebied van geluidsisolatie en trillingsisolatie en ontwerpt, levert en monteert diverse systemen voor akoestische ontkoppelingen in de bouw en industrie.

Delta-L vertegenwoordigt CDM Stravitec op de Nederlandse markt. CDM Stravitec is opgericht in 1951 en is marktleider op het gebied van akoestische oplegsystemen voor de bouw en industrie en is actief in tientallen landen (30+ vestigingen wereldwijd).

Door onze expertise, jarenlange ervaring en grote database aan meetresultaten van zowel interne en externe laboratorium metingen als in situ metingen hebben we door de jaren heen een uitgebreid assortiment aan akoestische materialen ontwikkeld, welke we op een slimme manier verwerken in diverse akoestische systemen.

Tevens zijn wij hierdoor in staat u adequaat van dienst te zijn bij elke stap in het proces: analyse van het geluid of trilling probleem, het aanleveren van een akoestisch ontwerp, optimalisatie van het ontwerp, productie, levering en montage.

Er wordt continu gewerkt aan innovatie en optimalisatie van de akoestische systemen om uw wensen en eisen om te zetten in een deskundig advies op maat.